



JWBS-9X

WOOD BAND SAW

Original:

GB

Operating Instructions



TOOL FRANCE SARL

9 Rue des Pyrénées, 91090 Lisses, France

www.jettools.com

M-10000860M

2019-03



CE-Conformity Declaration
CE-Konformitätserklärung
Déclaration de Conformité CE

Product / Produkt / Produit:
Band saw / Bandsäge / Scie à ruban

JWBS-9X
Stock No. : 10000860M

Brand / Marke / Marque:
JET

Manufacturer / Hersteller / Fabricant:
TOOL FRANCE SARL
9 Rue des Pyrénées, 91090 Lisses, France

We hereby declare that this product complies with the regulations
Wir erklären hiermit, dass dieses Produkt der folgenden Richtlinie entspricht
Par la présente, nous déclarons que ce produit correspond aux directives suivantes

2006/42/EC

Machinery Directive / Maschinenrichtlinie / Directive Machines

2014/30/EU

electromagnetic compatibility / elektromagnetische Verträglichkeit / compatibilité électromagnétique

2011/65/EU

RoHS directive / RoHS-Richtlinie / Directive RoHS

designed in consideration of the standards
und entsprechend folgender zusätzlicher Normen entwickelt wurde
et été développé dans le respect des normes complémentaires suivantes

EN ISO 12100:2010

EN 61029-1:2009+A11:2010 / EN 61029-2-5:2011/A11:2015

EN 61000-3-2:2014 / EN 61000-3-3:2013

EN 55014-1 :2017/ EN 55014-2 :2015

Responsible for the Documentation / Dokumentations-Verantwortung / Responsabilité de Documentation:

Head Product-Mgmt. / Leiter Produkt-Mgmt. / Resp. Gestion des Produits
TOOL FRANCE SARL



2019-02-20 Christophe SAINT SULPICE , General Manager
Tool France SARL

9 Rue des Pyrénées, 91090 Lisses, France

GB - ENGLISH

Operating Instructions

Dear Customer,

Many thanks for the confidence you have shown in us with the purchase of your new JET-machine. This manual has been prepared for the owner and operators of a **JET JWBS-9X band saw** to promote safety during installation, operation and maintenance procedures. Please read and understand the information contained in these operating instructions and the accompanying documents. To obtain maximum life and efficiency from your machine, and to use the machine safely, read this manual thoroughly and follow instructions carefully.

...Table of Contents

1. Declaration of conformity

2. Warranty

3. Safety

Authorized use

General safety notes

Remaining hazards

4. Machine specifications

Technical data

Noise emission

Contents of delivery

Machine description

5. Transport and start up

Transport and installation

Assembly

Mains connection

Dust connection

Starting operation

6. Machine operation

7. Setup and adjustments

Changing the saw blade

Blade tracking adjustment

Blade tension adjustment

Blade guide adjustment

Folding the bandsaw blade

Mitre gauge setup

Tilting of machine table

8. Maintenance and inspection

9. Troubleshooting

10. Environmental protection

11. Available accessories

1. Declaration of conformity

On our own responsibility we hereby declare that this product complies with the regulations and standards listed on page 2.

2. Warranty

TOOL FRANCE SARL guarantees that the supplied product is free from material defects and manufacturing faults.

This warranty does not cover any defects which are caused, either directly or indirectly, by incorrect use, carelessness, accidental damage, repair, inadequate maintenance or cleaning and normal wear and tear.

Any warranty details (i.e. warranty period) can be found in the General Terms and Conditions (GTC) that are integral part of the contract.

These GTC can be viewed at the website of your dealer or sent to you upon request.

TOOL FRANCE SARL reserves the right to make changes to the product and accessories at any time.

3. Safety

3.1 Authorized use

This machine is designed for sawing wood, wood derived materials as well as similar to be machined hard plastics only. Machining of other materials is not permitted and may be carried out in specific cases only after consulting with the manufacturer.

No metal workpieces may be machined.

The workpiece must allow to safely be loaded, supported and guided.

The proper use also includes compliance with the operating and maintenance instructions given in this manual.

The machine must be operated only by persons familiar with its operation and maintenance and who are familiar with its hazards.

The required minimum age must be observed

The machine must only be used in a technically perfect condition

When working on the machine, all safety mechanisms and covers must be mounted.

In addition to the safety requirements contained in these operating instructions and your country's applicable regulations, you should observe the generally recognized technical rules concerning the operation of woodworking machines.

Any other use exceeds authorization.

In the event of unauthorized use of the machine, the manufacturer renounces all liability and the responsibility is transferred exclusively to the operator.

3.2 General safety notes

Woodworking machines can be dangerous if not used properly. Therefore the appropriate general technical rules as well as the following notes must be observed.

Read and understand the entire instruction manual before attempting assembly or operation.



Keep this operating instruction close by the machine, protected from dirt and humidity, and pass it over to the new owner if you part with the tool.

No changes to the machine may be made.

Daily inspect the function and existence of the safety appliances before you start the machine.

Do not attempt operation in this case, protect the machine by unplugging the mains cord.

Remove all loose clothing and confine long hair.

Before operating the machine, remove tie, rings, watches, other jewellery, and roll up sleeves above the elbows.

Wear safety shoes; never wear leisure shoes or sandals.

Always wear the approved working outfit

- safety goggles
- ear protection
- dust protection



Do **not** wear gloves while operating this machine.

For the safe handling of saw blades wear work gloves.

Observe the chapter “safe operation” in this manual.

Control the stopping time of the machine, it may not be longer than 10 seconds.

Insure that the workpiece does not roll when cutting round pieces.

Use suitable table extensions and supporting aids for difficult to handle workpieces.

Always lower the blade guide close to the workpiece.

With the machine table is inclined use the fence and position it on the bottom side only.

Always hold and guide the workpieces safely during machining.

Remove cut and jammed workpieces only when motor is turned off and the machine is at a complete standstill.

Install the machine so that there is sufficient space for safe operation and workpiece handling.

Keep work area well lighted.

The machine is designed to operate in closed rooms and must be placed stable on firm and levelled ground.

Make sure that the power cord does not impede work and cause people to trip.

Keep the floor around the machine clean and free of scrap material, oil and grease.

Stay alert!

Give your work undivided attention. Use common sense.

Keep an ergonomic body position.

Maintain a balanced stance at all times.

Do not operate the machine when you are tired.

Do not operate the machine under the influence of drugs, alcohol or any medication. Be aware that medication can change your behaviour.



Never reach into the machine while it is operating or running down.

Keep children and visitors a safe distance from the work area.

Never leave a running machine unattended. Before you leave the workplace switch off the machine.

Do not operate the electric tool near inflammable liquids or gases.

Observe the fire fighting and fire alert options, for example the fire extinguisher operation and place.

Do not use the machine in a damp environment and do not expose it to rain.

Wood dust is explosive and can also represent a risk to health. Dust from some tropical woods in particular, and from hardwoods like beech and oak, is classified as a carcinogenic substance.

Always use a suitable dust extraction device

Before machining, remove any nails and other foreign bodies from the workpiece.

Use a push block when working the ends of narrow stock.

Always store the push stick or the push wood handle with the machine, also when not in use.

Specifications regarding the maximum or minimum size of the workpiece must be observed.

Do not remove chips and workpiece parts until the machine is at a complete standstill.

Never operate with the guards not in place – serious risk of injury!

Do not stand on the machine.

Connection and repair work on the electrical installation may be carried out by a qualified electrician only.



Make all machine adjustments or maintenance with the machine unplugged from the power source.

Have a damaged or worn cord replaced immediately.

Remove defective saw blades immediately.

3.3 Remaining hazards

When using the machine according to regulations some remaining hazards may still exist

The moving saw blade in the work area can cause injury.

Broken saw blades can cause injuries.

Thrown workpieces can lead to injury

Wood chips and sawdust can be health hazards. Be sure to wear personal protection gear such as safety goggles ear- and dust protection.

Use a suitable dust exhaust system.

The use of incorrect mains supply or a damaged power cord can lead to injuries caused by electricity.

4. Machine specifications

4.1 Technical data

Wheel diameter	Ø240 mm
Cutting width	max 230 mm
Cutting height	max 80 mm
Sawblade length	1575 mm
Blade width	3 - 10 mm
Blade thickness	0,3 – 0,4 mm
Cutting speed	660 m/min
Machine Table(Lx W)	300x300 mm
Table tilting range	0° to 45°
Table above floor	330mm
Dust port	Ø53mm

Overall L x W x H	395x 520x 754mm
Weight	20 kg

Mains	230V ~1/N/PE 50Hz
Motor power	350W, S1
Reference current	1.6 A
Extension cord (H07RN-F):	3x1.5mm ²
Installation fuse protection	10 A
Machine lamp halogen	12V, 21W
Protection class	B

4.2 Noise emission

(Inspection tolerance 4 dB)

Workpiece beech: 20mm

Acoustic power level (according to EN ISO 3746):

Idling	LwA 80 dB(A)
Operating	LwA 93,6 dB(A)

Acoustic pressure level (according to EN ISO 11202):

Idling	LpA 74,7 dB(A)
Operating	LpA 87,2 dB(A)

The specified values are emission levels and are not necessarily to be seen as safe operating levels. This information is intended to allow the user to make a better estimation of the hazards and risks involved.

4.3 Content of delivery

- Machine table
- Fence
- Mitre gauge
- Machine lamp
- Dust port adapter Ø 57mm
- Assembly bag
- Saw blade 6mm

Additional support

Operating manual

Spare parts list

4.4 Machine description

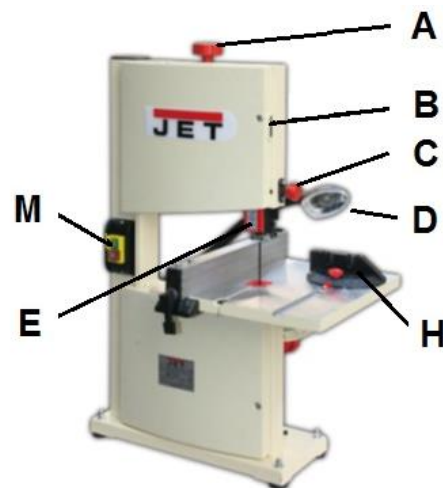


Fig 1

- A .. Blade tension knob
- B .. Blade tracking window
- C .. Blade guide height adjust knob
- D .. Machine lamp
- E... Upper blade guard
- F... Rip fence
- G.. Sawblade
- H .. Mitre gauge
- I.... Blade quick tension lever
- J ... Table slot bolt
- K... Blade tracking knob
- L... Blade guide locking knob
- M . ON/OFF Switch
- N.. Motor
- O.. Additional support
- P... Dust port
- Q.. Table tilt knob
- R .. Saw table

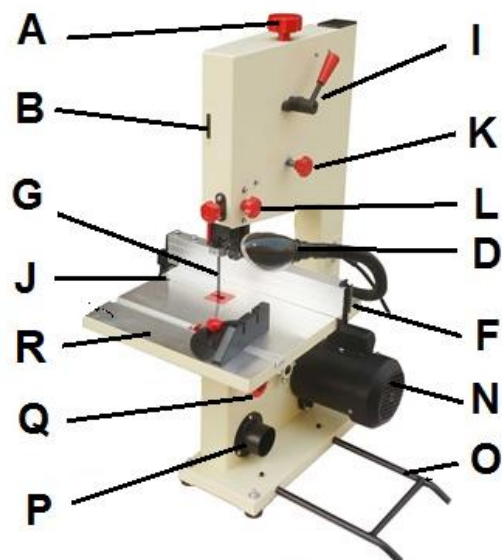


Fig 2

5. Transport and start up

5.1 Transport and installation

For transport use a forklift or hand trolley. Make sure the machine does not tip or fall off during transport.

The machine is designed to operate in closed rooms and must be placed stable on firm and levelled ground. The machine can be bolted down if required.

For packing reasons the machine is not completely assembled.

5.2 Assembly

If you notice any transport damage while unpacking, notify your supplier immediately. Do not operate the machine!

Dispose of the packing in an environmentally friendly manner.

Clean all rust protected surfaces with a mild solvent.

Rubber feet mounting:

Assemble four rubber feet (U, Fig 3) in the corners of base with bolts (M6x30), washers, and nuts.

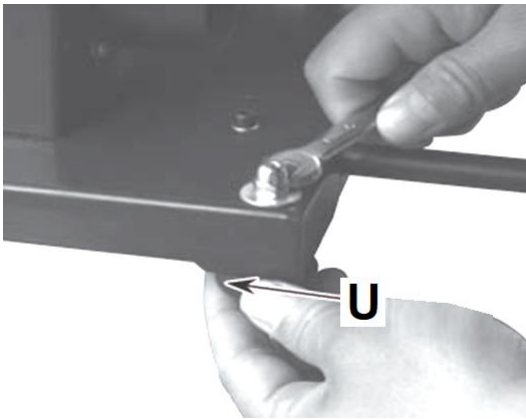


Fig 3

Mounting the additional support:

- Insert the additional support into the two holes in the side of base.

- Secure the support (O, Fig 4) with two bolts and nuts (W)

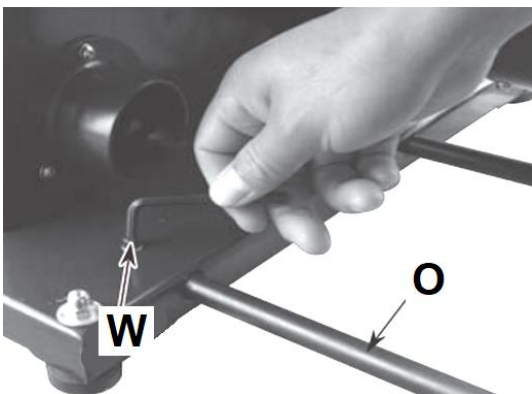


Fig 4

Mounting the saw table:

- Remove the table slot bolt (J, Fig 2) and wing nut.

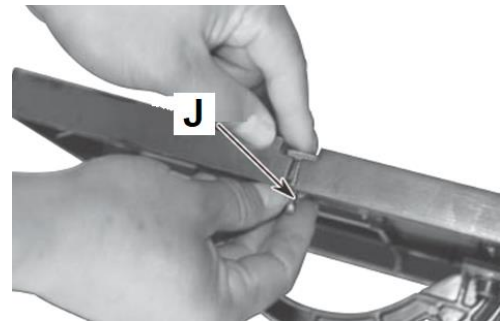


Fig 5

- Remove table tilt locking knob (S, Fig 4) from saw frame.

- Slide the table over the blade, through the slot in the table. (Fig 6)

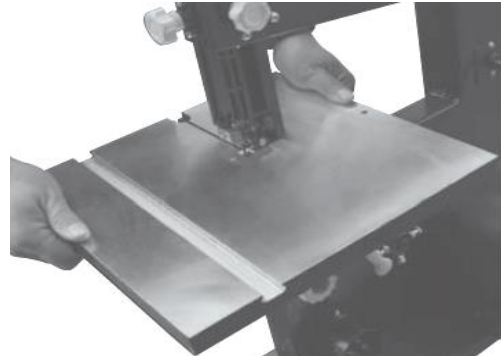


Fig 6

- Re-install table tilt locking knob.

- Secure table in position.

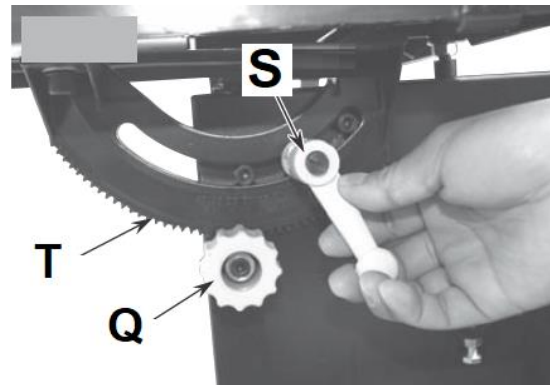


Fig 7

- Using a combination square, set table perpendicular to blade. Adjust table stop if necessary (Fig 8)

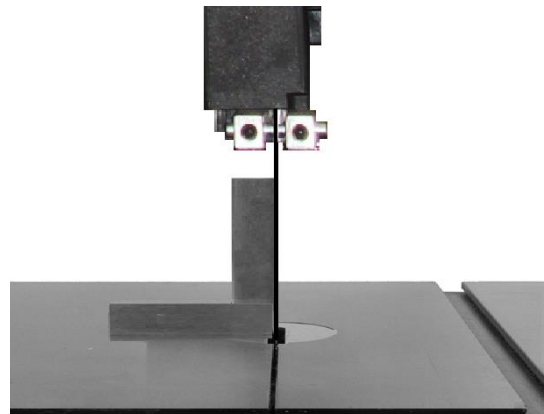


Fig 8

- Set pointer at 0° to match the scale (T, Fig 7).
- Re-install the table slot bolt and wing nut (Fig 5)

Install the fence:

- Raise the clamp on the fence assembly to the up position.
- Place the fence on the table so that the clamp is at the front of the table.
- Lower the fence clamp in order to lock the fence in position on the table (Fig. 9).

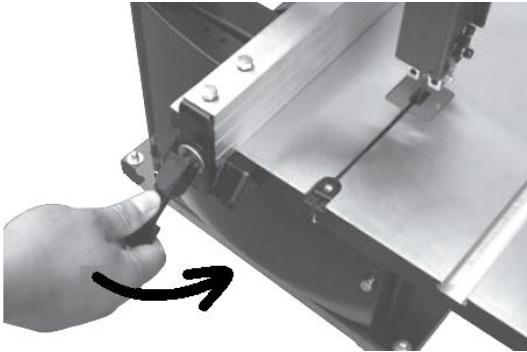


Fig 9

WARNING: Never use mitre gauge and rip fence at the same time. The blade might bind in the workpiece. Operator could be injured and/or workpiece could be damaged.

5.3 Mains connection

Mains connection and any extension cords used must comply with applicable regulations.

The mains voltage must comply with the information on the machine licence plate.

The mains connection must have a 10 A surge-proof fuse.

Only use power cords marked H07RN-F

Connections and repairs to the electrical equipment may only be carried out by qualified electricians.

5.4 Dust connection

Before initial operation, the machine must be connected to a dust extractor (P, Fig 10). The suction should switch on automatically when the band saw is switched on.

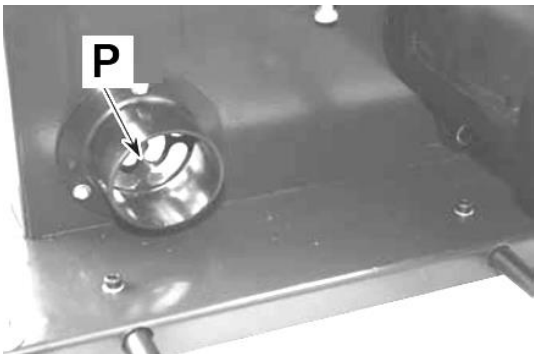


Fig 10

5.5 Starting operation

You can start the machine with the green ON-button.

The machine lamp starts automatically when the motor is turned on.

The red OFF-button on the main switch stops the machine.

6. Machine operation

Correct working position:

In front of the machine standing in the direction of cutting.

Cut preparation:

Bring the upper blade guide to a distance of approximately 0,5cm to the workpiece (Fig 11).

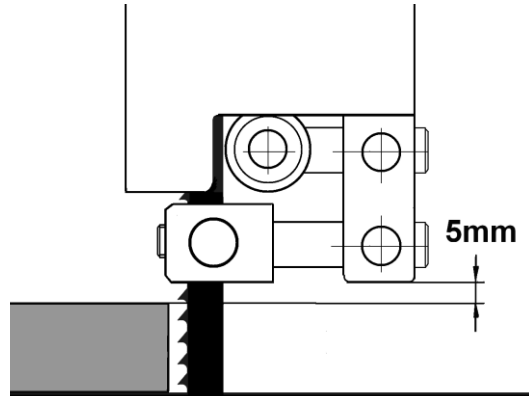


Fig 11

For your own safety, always set the saw guide as close to the workpiece as possible.

Work only with a sharp and flawless sawblade.

Make sure blade is tracked and tensioned correctly.

Make sure blade guides are adjusted correctly.

If using the fence, move it into position and lock it. Work only with rip fence securely locked in place.

Turn on band saw and allow it to reach full speed.

Workpiece handling:

Hands placed flat on the workpiece outside the cutting area. Feed the workpiece towards the saw blade in the direction of the saw line, and cut as required by turning to follow the line drawn.

Push the workpiece steadily forward; complete the cut as a single movement.

Do not draw the workpiece back, as this could cause the sawblade to run off its wheels.

Support long and wide workpieces with helping roller stands.

Safe operating hints:

Near the cutting area use a push stick to feed.

Use a feeding template to safely guide small and narrow workpieces.

Use a suitable wedge to prevent round timber from turning under the pressure of the cut.

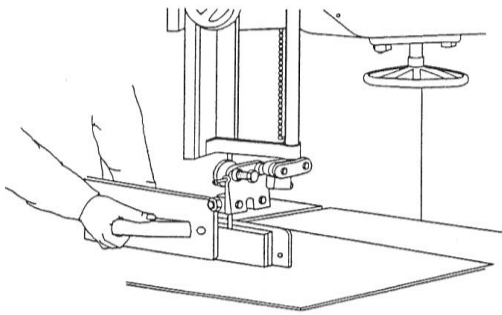


Fig 12.1: Performing high cuts

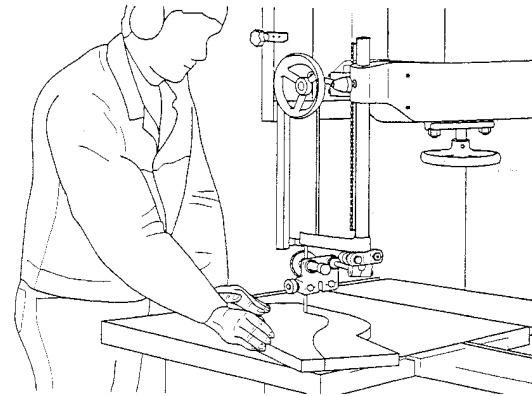


Fig 12.5: Curved cuts

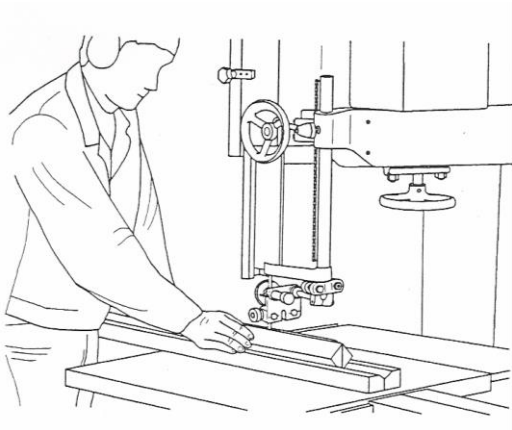


Fig 12.2: Performing diagonal cuts

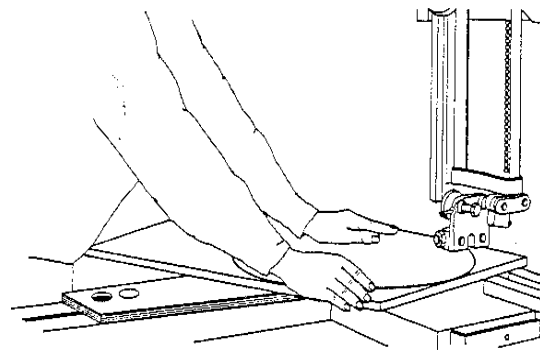


Fig 12.6: Circular cutting

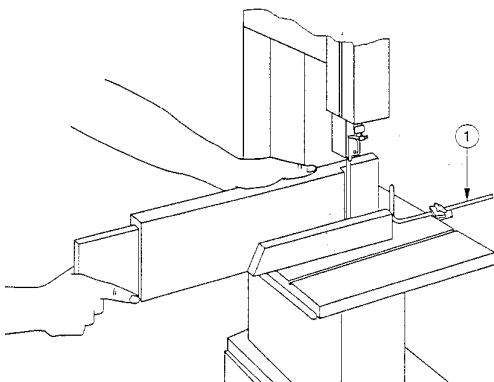


Fig 12.3: Tenon cutting

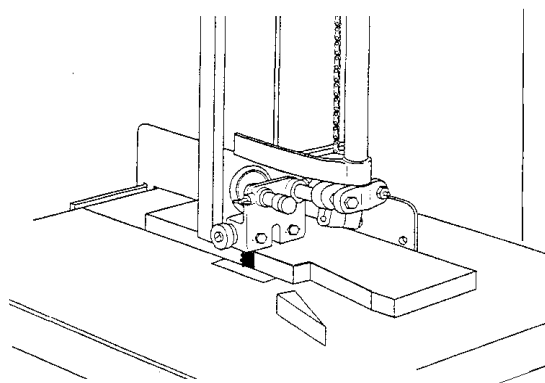


Fig 12.4: Cutting of wedges

7. Setup and adjustments

General note:

Setup and adjustment work may only be carried out after the machine is protected against accidental starting by pulling the mains plug.

7.1 Changing the sawblade

The sawblade has to meet the technical specification.

Choose a suitable sawblade, according to the cutting operation and according to the material to be cut.

For high rip cuts:

- use a wide sawblade (e.g. 10mm), coarse teethed.

For narrow curved cuts:

- use a narrow sawblade (e.g. 3mm).

Check sawblade for flaws (cracks, broken teeth, bending) before installation. Do not use faulty sawblades.

The sawblade teeth must point in cutting direction (down)

Always wear suitable gloves when handling sawblades.

The sawblades may only be changed when the mains plug is pulled!

To remove the blade:

Open the wheel covers.

Remove the table slot bolt (J, Fig 13).

Release the blade tension (A and J)

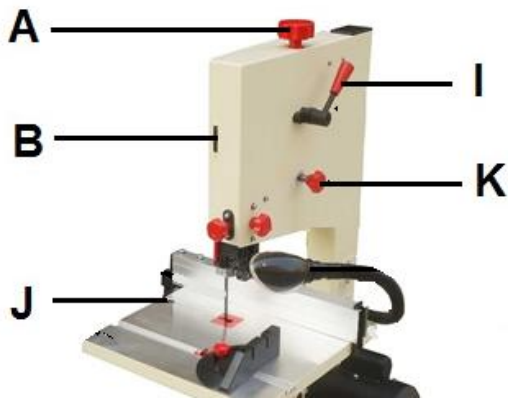


Fig 13

Open the upper and lower blade guards (Fig 14)

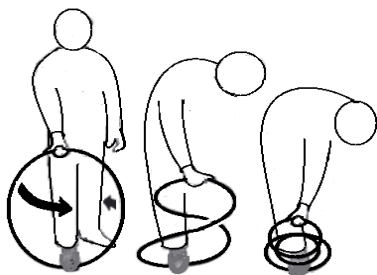


Fig 14

Remove the saw blade.

7.2 Folding the saw blade

Hold the band saw blade in one hand. Let it hang down vertically and hold it to the floor with a foot. Turn your hand through 360° (a complete circle), as you move it down towards the floor.



7.3 Blade tracking adjustment

Blade tracking shall never be performed when the machine is running.

- Disconnect band saw from power source.

- To check the blade tracking, rotate drive wheel by hand in clockwise direction. View blade through tracking window.

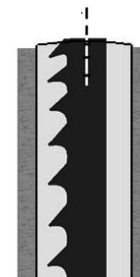


Fig 15

- Proper tracking is achieved when driver and idler wheels are aligned. Tracking knob (K, Fig 13) is used to tilt upper wheel and align blade wheels.

- If blade rides away from cabinet, turn knob clockwise. If blade rides toward cabinet, turn knob counter clockwise.

- When blade is tracking properly (Fig 15), secure position by tightening nut.

7.4 Blade tension adjustment

Blade tension is set with the blade tension knob (A, Fig 13)

Tighten the placed sawblade sufficiently.

Quick blade tension lever :

To operate the machine, place the quick blade tension lever (I, Fig 13) to the up position.

Note:

When the band saw is not in use, place the quick blade tension lever to the lowered position, this will prolong the blade's life.

7.5 Blade guide adjustment

Blade guide adjustment shall never be performed when the machine is running.

Open the wheel covers.

Open the upper and lower blade guards (Fig 14)

Upper blade guide :

- Upper blade guides employ guide pins for side support and a ball bearing for rear support.

- Loosen screws (Y, Fig 16) and adjust guide pins (X) to sides of the blade.

Check that guide pins are approximately 0.05mm away from blade (G).

A quick way to achieve the spacing needed (~0,05mm) is placing a paper note between blade and guide pins.

- Lock adjustment by tightening screws.

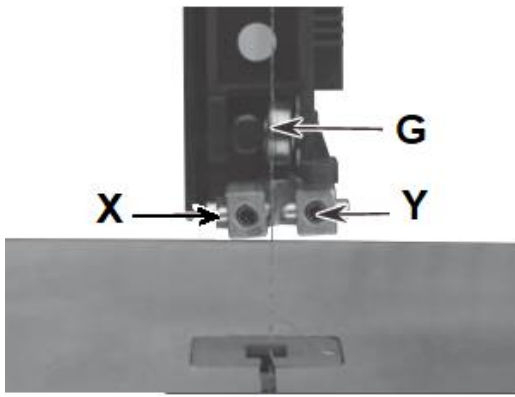


Fig 16

The guide pins may not touch the sawblade teeth. Adjust the guide pin assembly accordingly (Fig 17).

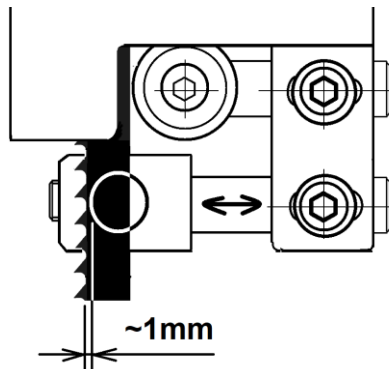


Fig 17

- Adjust ball bearing (U, Fig 18) at rear of blade by loosening socket head bolt (V) and repositioning shaft.
- Position ball bearing ~ 0.3mm away from back of blade.
- Secure position of bearing by tightening socket head bolt (V).

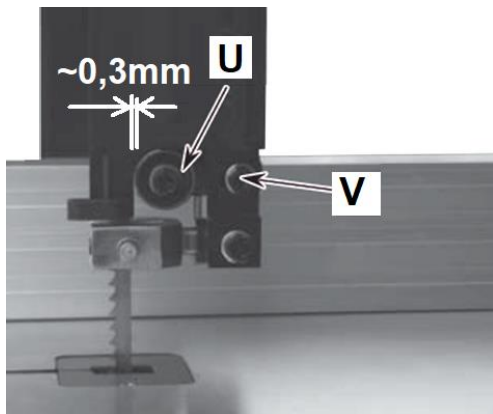


Fig 18

Lower blade guide :

- Lower blade guides employ guide pins for side support and bearing for rear support (Fig 19).

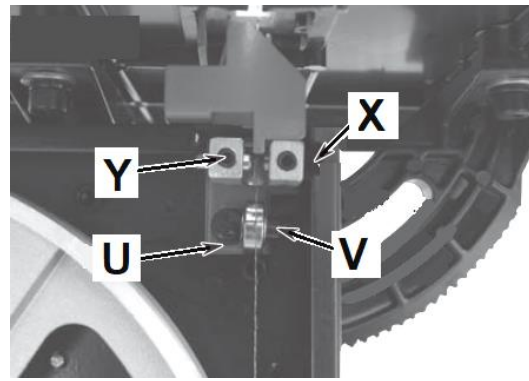


Fig 19

Adjust in same manner as on upper blade guide.

7.6 Mitre gauge setup

Setup adjustments shall never be performed when the machine is running.

Use a gauge to exactly set up for 90°

Adjust the mitre gauge profile to be close to the sawblade.

Start the machine with care.

7.7 Tilting of machine table

The table tilts from 0° to 45° to the right.

- Turn the table tilt lock lever (S, Fig 20) counter clockwise.
- Turn the table tilt adjustment knob (Q) until the pointer is at the desired angle on the table tilt scale (T).
- Tighten the table tilt locking knob in order to secure the table.

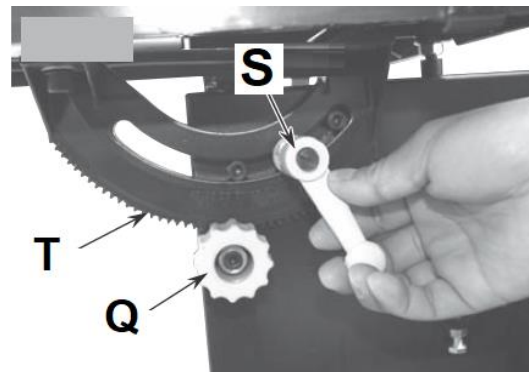


Fig 20

Test run:

Turn the wheels by hand and inspect the adjustments made.

Start the machine with care.

8. Maintenance and inspection

General note:

Maintenance, cleaning and repair work may only be carried out after the machine is protected against accidental starting by pulling the mains plug.

Repair and maintenance work on the electrical system may only be carried out by a qualified electrician.

Clean the machine regularly.

Inspect the proper function of the dust extraction daily.

All protective and safety devices must be re-attached immediately after completed cleaning, repair and maintenance work.

Defective safety devices must be replaced immediately.

Inspect the correct blade tension regularly. Take away the blade tension if the machine is not in use for a longer time period.

Inspect the blade guide adjustment regularly.

Check band saw blades regularly for faults. Replace a defective sawblade immediately.

Cleaning of the Wheels:

The rubber tyre of the wheels must be cleaned regularly.

To tighten the belt

Unplug the machine from power source.

Table insert:

Replace a worn table insert.

The table insert must be made out of cuttable material (e.g. wood, plastic, aluminium)

The table insert may not project above table surface.

Saw blades:

The servicing of saw blades should only be performed by a trained person.

Only use sharp and properly set saw blades.

9. Trouble shooting

Motor doesn't start

- *No electricity-
check mains and fuse.
- *Defective switch, motor or cord-
consult an electrician.

Machine vibrates excessively

- *Stand on uneven floor-
adjust stand for even support.
- *dust on wheel-
clean tires.
- *sawblade has cracks-
replace sawblade immediately

Cut is not square

- *Table stop setting wrong.
- *Blade guide setting is bad

Cutting surfaces is bad

- *Wrong sawblade used
- *resin collection on sawblade
- *sawblade is dull
- *Blade guide setting is bad
- *Blade tension too low
- *workpiece inhomogeneous
- *Feed pressure too high-
Do not force the workpiece.

Lamp not working

*Lamp defect- -----

Replace the lamp bulb.

10. Environmental protection

Protect the environment.

Your appliance contains valuable materials which can be recovered or recycled. Please leave it at a specialized institution.



This symbol indicates separate collection for electrical and electronic equipment required under the WEEE Directive (Directive 2012/19/EC) and is effective only within the European Union.

11. Available accessories

Refer to the JET-Pricelist for various saw blades.